

Nom. Motor W

230V-1ph-60Hz 6UF

4 Pole

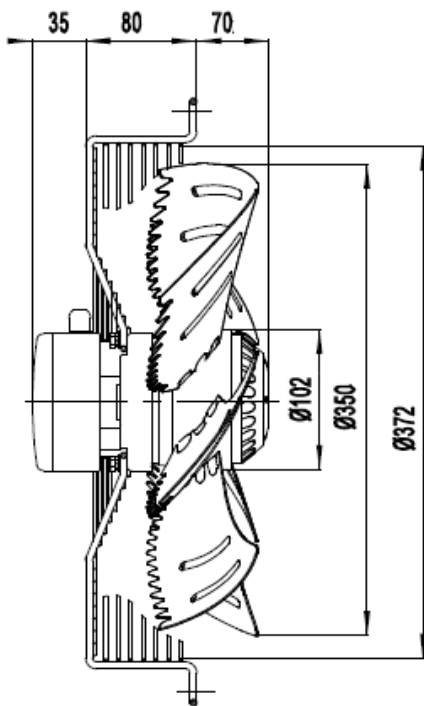
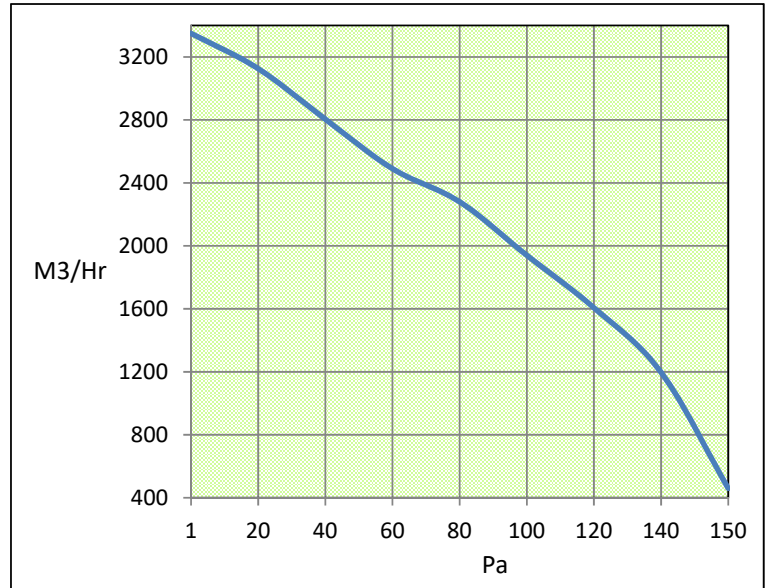
PRL.350S-7DIA01

190 W

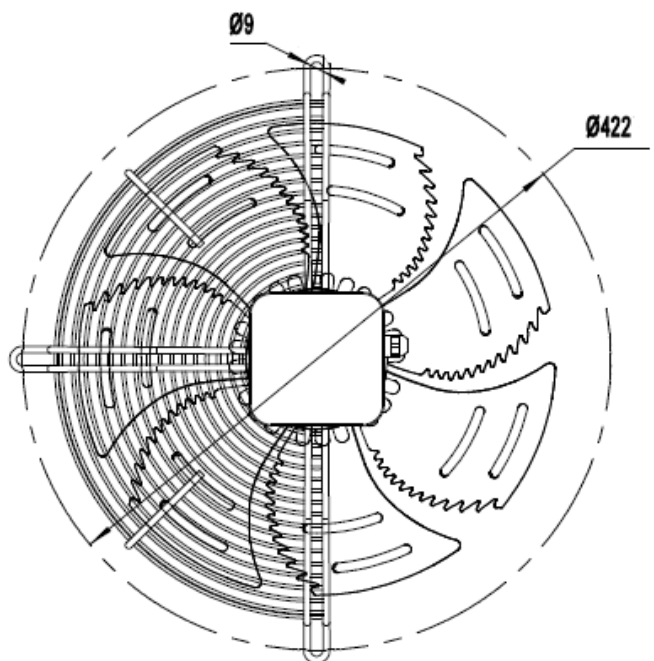
Application: +60 /-30°C

Pa	M3/Hr	RPM	A	Watt	dB (A)
1	3350	1605	1.16	260	61
20	3126	1590	1.18	266	61
40	2805	1562	1.21	272	61
60	2490	1541	1.23	278	62
80	2280	1528	1.25	280	62
100	1940	1517	1.26	287	62
120	1607	1475	1.31	300	63
140	1197	1350	1.40	320	63
150	460	1220	1.46	331	63

Standard Venturi Air Density 1.19 kg/M³



Exhaust
Direction of airflow "S"



Weight : 6.0 kg