

400V-3ph-50Hz    6 Pole    2 Speed

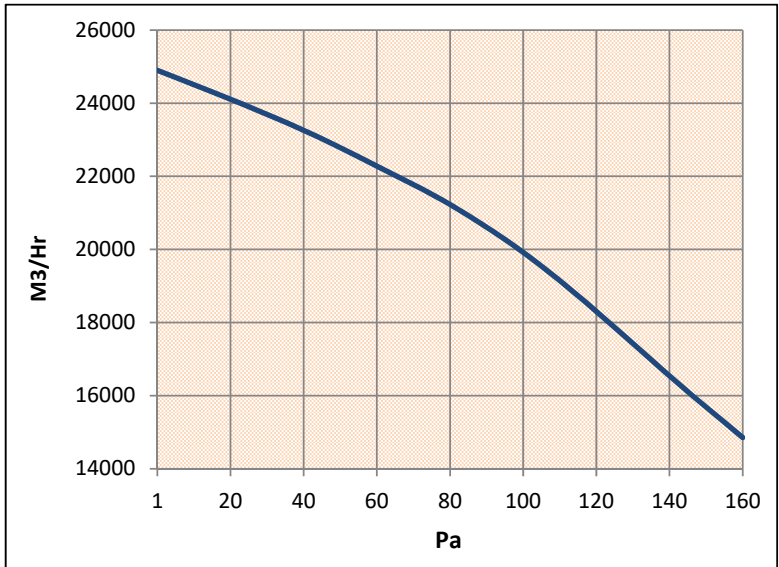
PRL.800S-6T-5DISZO

Nom. Motor W

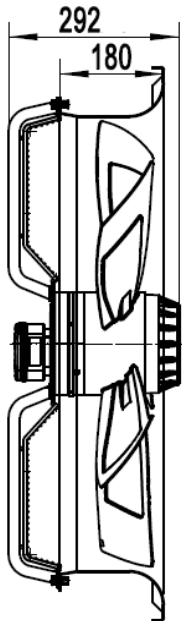
**2300 W**

Application: +60 /-30°C

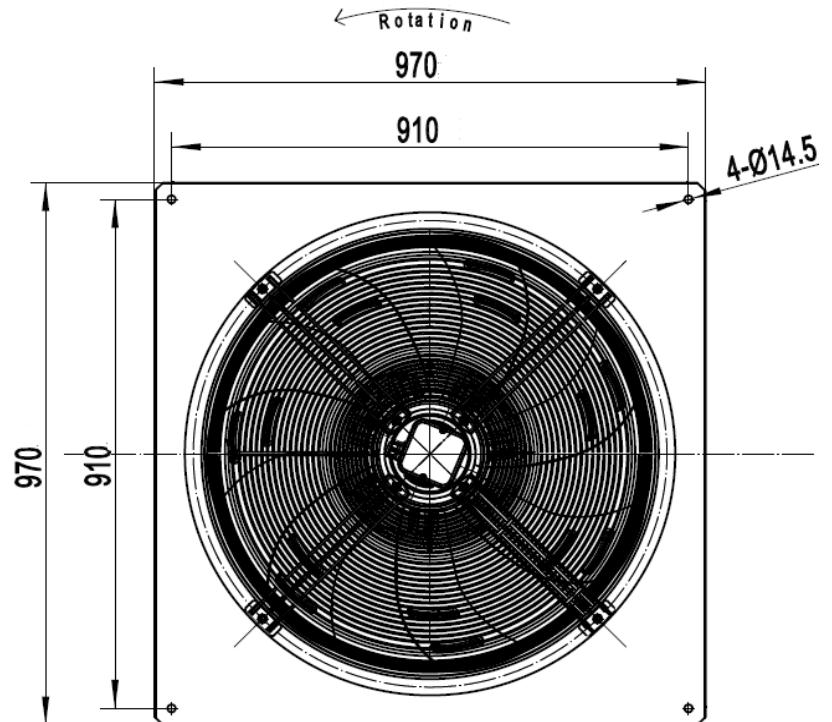
Pa	M3/Hr	RPM	A	Watt	dB (A)
1	24,900	921	3.20	1457	77
20	24,110	920	3.22	1950	78
40	23,260	916	3.31	1985	78
60	22,280	910	3.41	2000	79
80	21,230	903	3.55	2050	79
100	19,920	901	3.62	2090	79
120	18,310	898	3.67	2100	80
140	16,535	887	3.71	2110	80
160	14,855	893	3.76	2120	80
Full Bellmouth Venturi		Air Density 1.19 kg/M <sup>3</sup>			



Dimensional drawing



← Exhaust  
Direction of airflow "S"



Weight :        35.1 kg