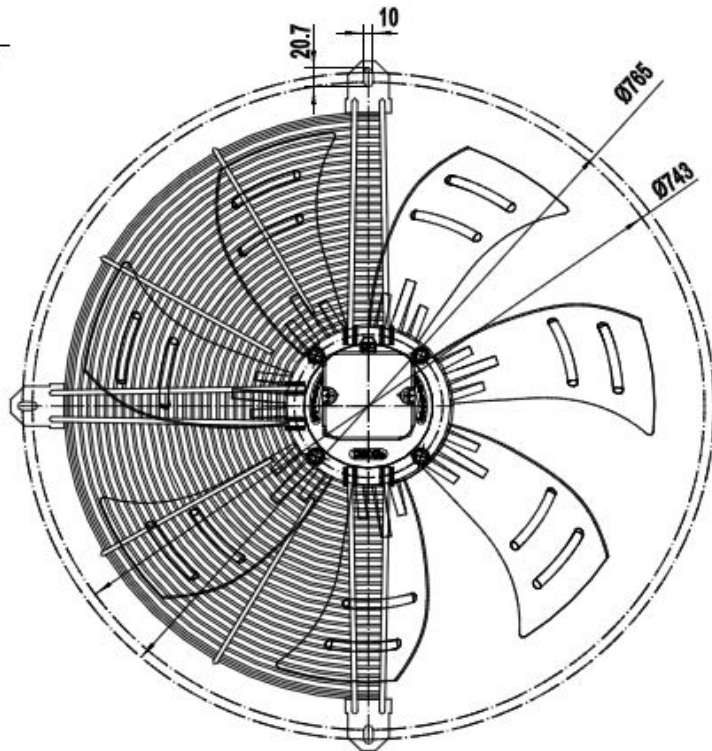
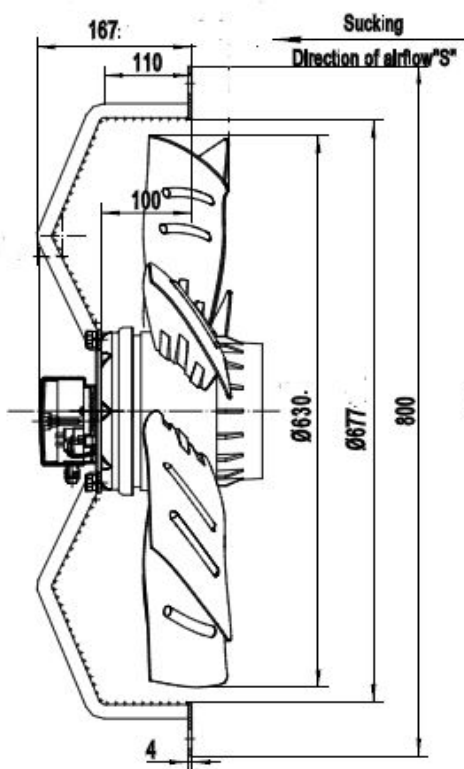
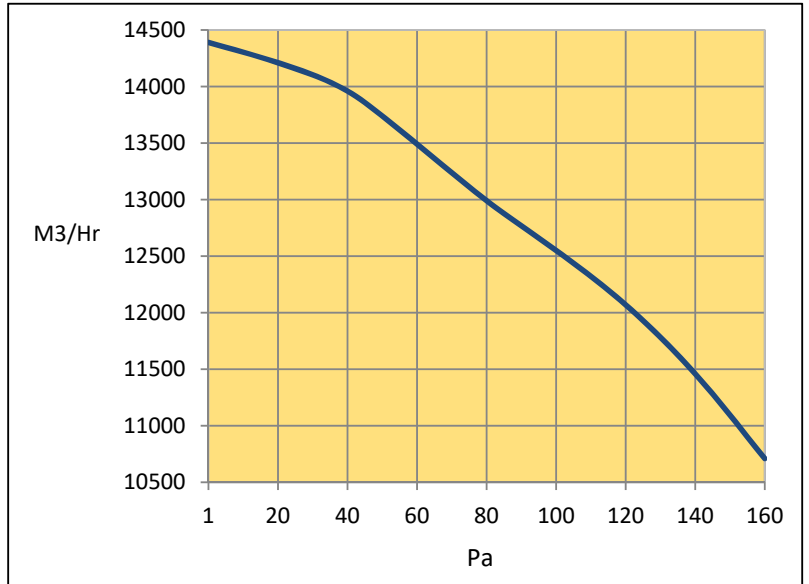


400V-3ph-50Hz

4 Pole

Application: +60 /-30°C

Pa	M3/Hr	RPM	A	Watt	dB (A)
1	14390	1405	2.00	1105	81
20	14210	1402	2.06	1150	81
40	13960	1396	2.14	1208	82
60	13490	1395	2.17	1231	82
80	12990	1389	2.23	1284	82
100	12550	1383	2.29	1319	82
120	12070	1382	2.33	1348	82
140	11460	1378	2.38	1388	82
160	10710	1369	2.51	1480	83
Standard Venturi		Air Density 1.19 kg/M ³			



Weight : 29 kg