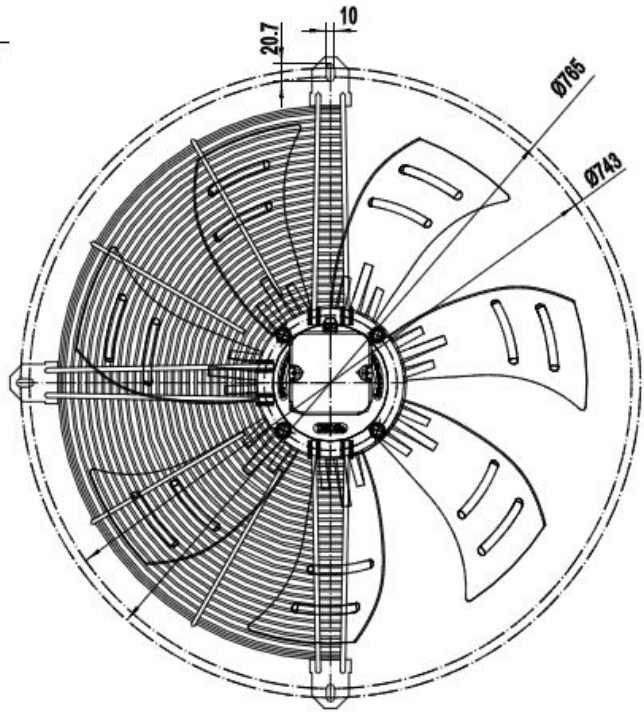
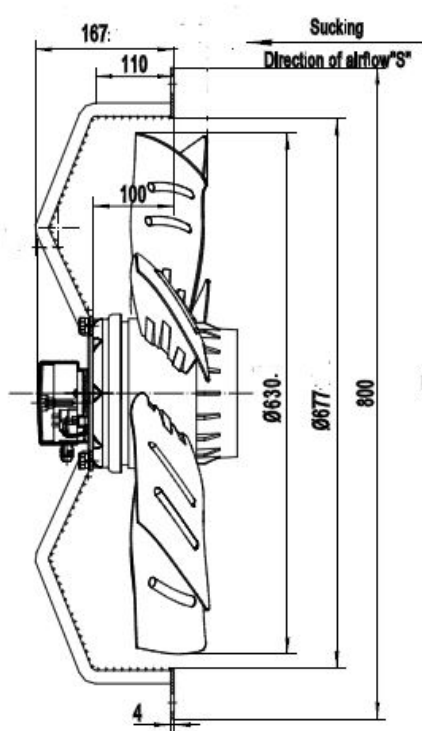
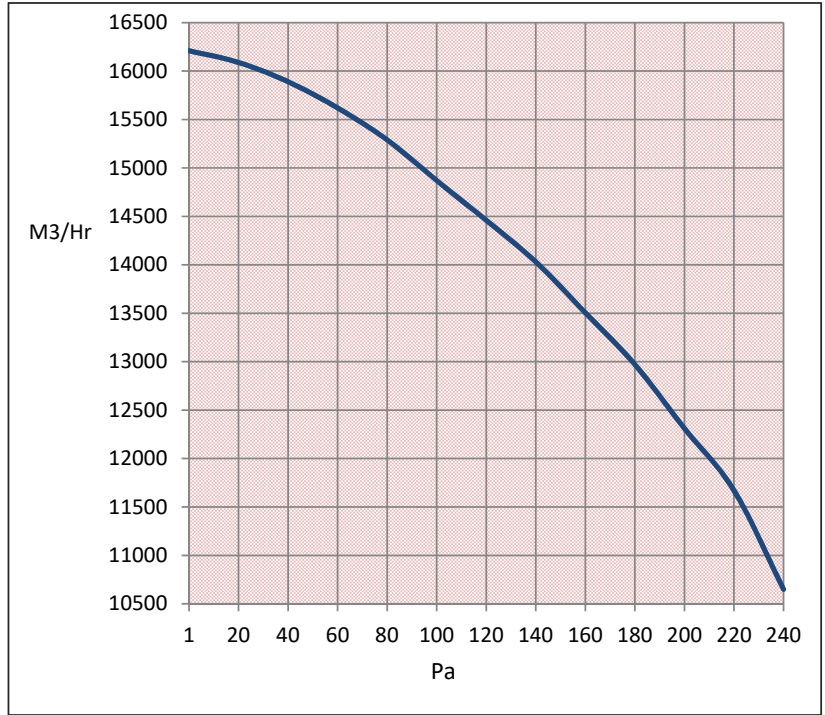


220V-3ph-60Hz

4 Pole

Application: +60 /-30°C

Pa	M3/Hr	RPM	A	Watt	dB (A)
1	16210	1594	5.31	1830	82
20	16090	1588	5.50	1880	82
40	15890	1585	5.72	1910	83
60	15620	1575	5.83	1950	83
80	15290	1570	5.95	2030	83
100	14870	1564	6.10	2105	83
120	14460	1561	6.21	2130	83
140	14030	1558	6.27	2160	83
160	13505	1550	6.45	2190	84
180	12970	1543	6.58	2235	84
200	12310	1537	6.71	2300	84
220	11670	1529	6.83	2360	84
240	10650	1522	6.95	2410	84
Standard Venturi		Air Density 1.19 kg/M <sup>3</sup>			



Weight : 29 kg