

460V-3ph-60Hz

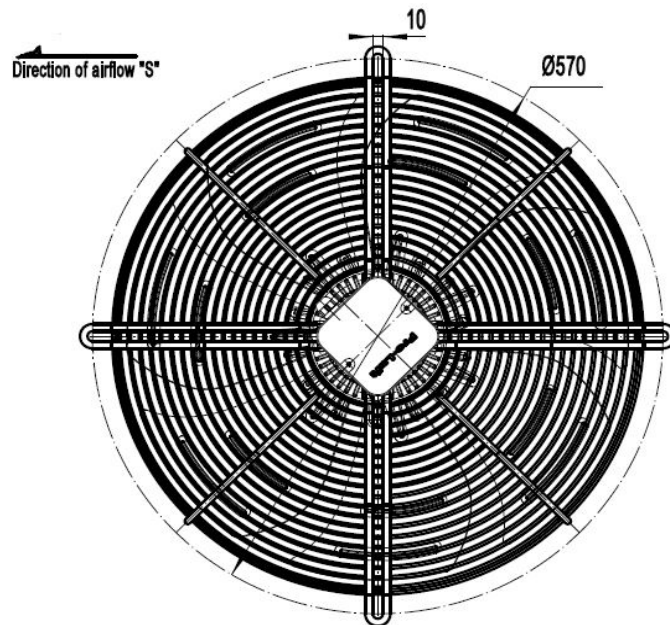
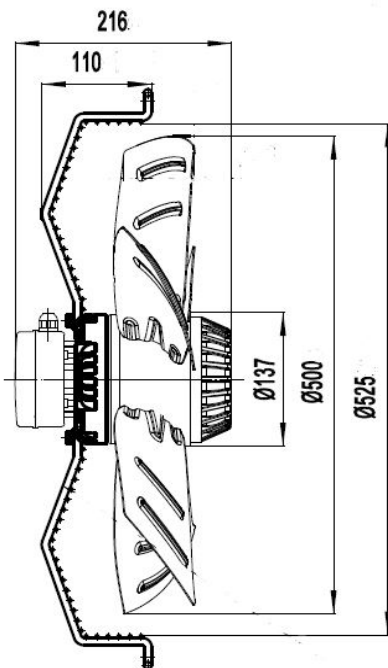
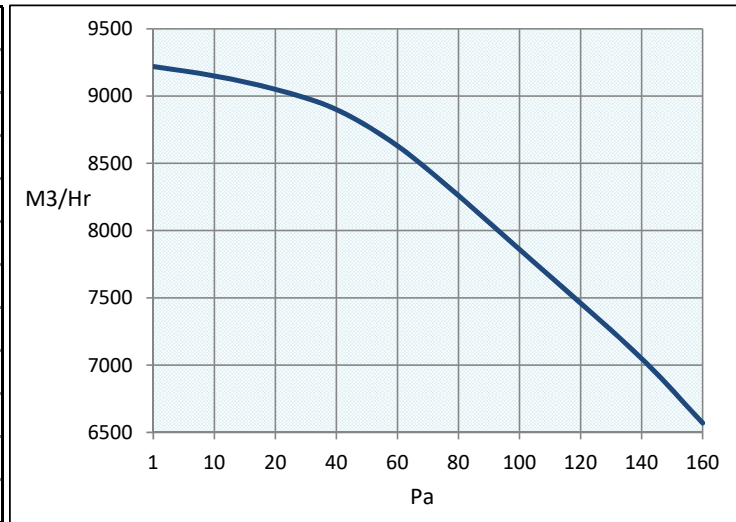
4 Pole

2 Speed

Model : PRL-500S-4T-7DIA02

Application: +60 / -30°C

Pa	M3/Hr	RPM	A	Watt	dB (A)
1	9,220	1610	1.20	742	80
10	9,150	1608	1.22	751	80
20	9,050	1606	1.23	760	81
40	8,900	1609	1.24	769	81
60	8,630	1596	1.26	791	81
80	8,260	1580	1.30	832	81
100	7,860	1576	1.33	851	81
120	7,460	1568	1.35	863	81
140	7,050	1565	1.37	885	82
160	6,570	1560	1.40	912	82
Standard Venturi		Air Density 1.19 kg/M ³			



Weight : 9.9 kg