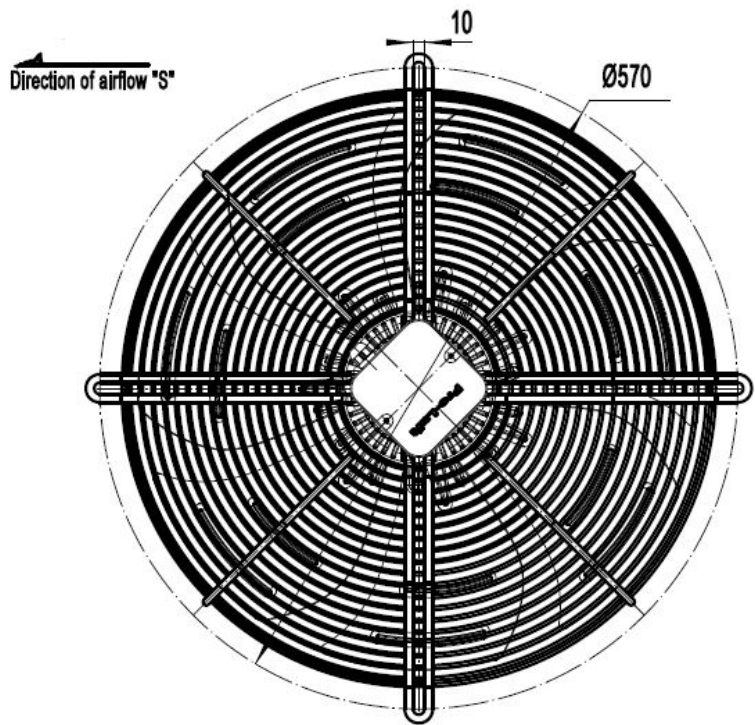
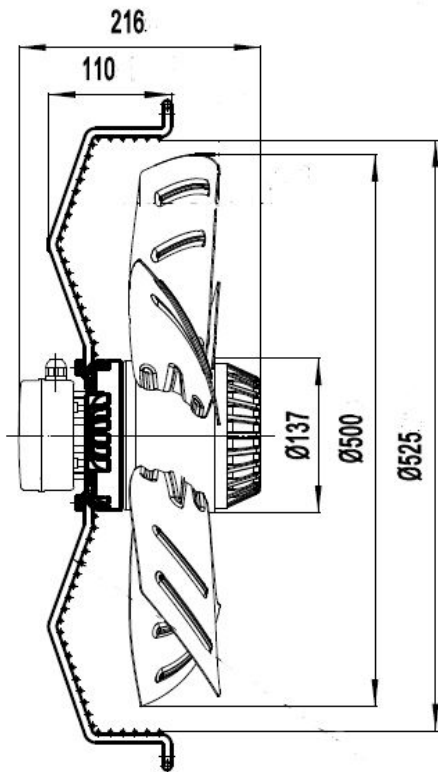
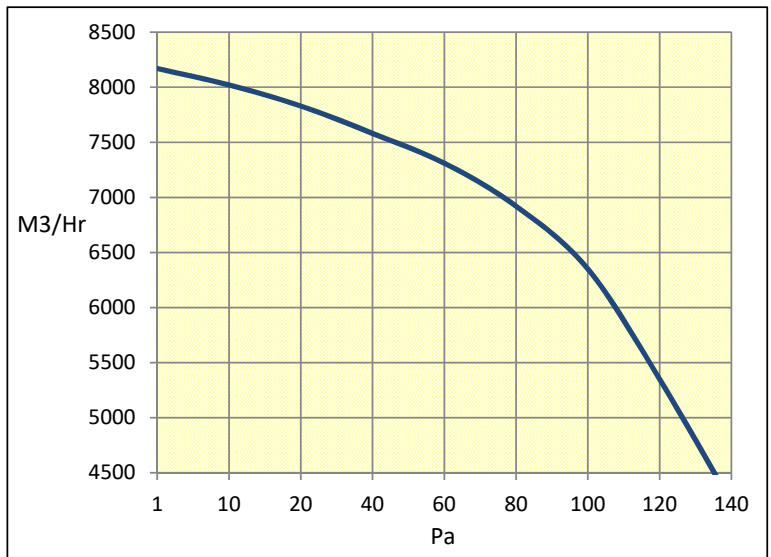


400V-3ph-50Hz 4 Pole 2 Speed

Model : PRL-500S-4T-7D Nom. Motor Size **850 W**

Application: +60 / -30°C

Pa	M3/Hr	RPM	A	Watt	dB (A)
1	8,170	1389	0.98	450	79
10	8,020	1395	0.99	461	78
20	7,830	1381	1.02	470	78
40	7,580	1376	1.04	492	77
60	7,310	1370	1.07	510	77
80	6,920	1364	1.08	526	77
100	6,350	1360	1.12	545	78
120	5,350	1356	1.14	570	78
140	4,230	1355	1.15	580	79
Standard Venturi		Air Density 1.18 kg/M ³			



Weight : 11.2 kg