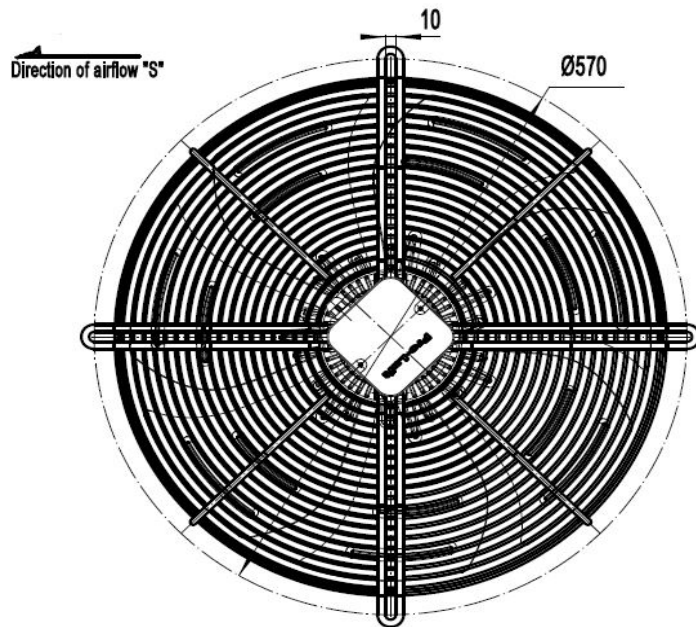
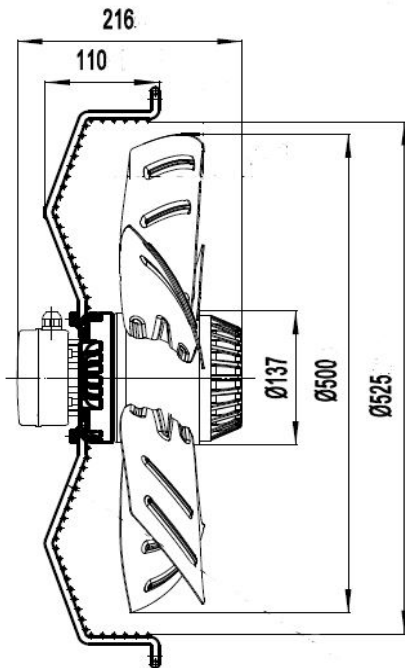
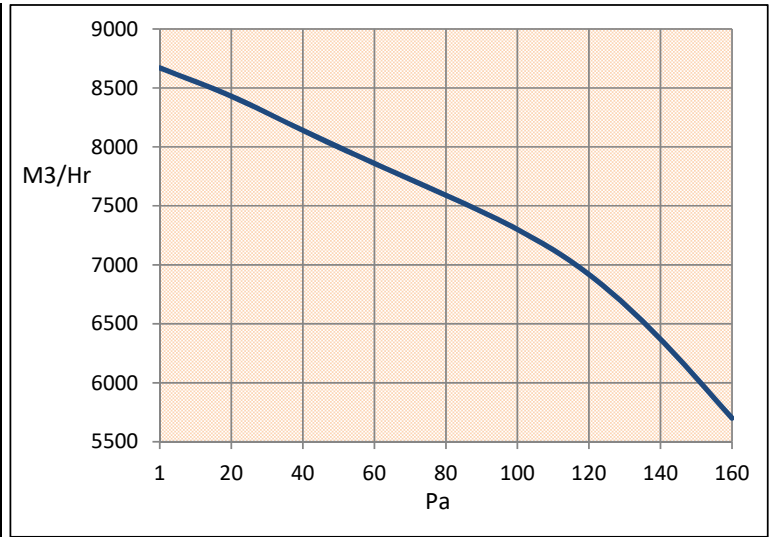


220V-3ph-60Hz 4 Pole

Model : PRL-500S-4T-7D

Application: +60 /-30°C

Pa	M3/Hr	RPM	A	Watt	dB (A)
1	8670	1615	2.41	730	81
20	8430	1608	2.48	752	80
40	8140	1598	2.55	785	80
60	7860	1595	2.58	796	80
80	7590	1587	2.61	810	81
100	7300	1580	2.69	840	81
120	6920	1575	2.75	860	82
140	6370	1568	2.81	885	82
160	5700	1560	2.85	899	83
Standard Venturi		Air Density 1.18 kg/M <sup>3</sup>			



Weight : 9.9 kg

Preliminary Information may change without notice