

460V-3ph-60Hz 4 Pole

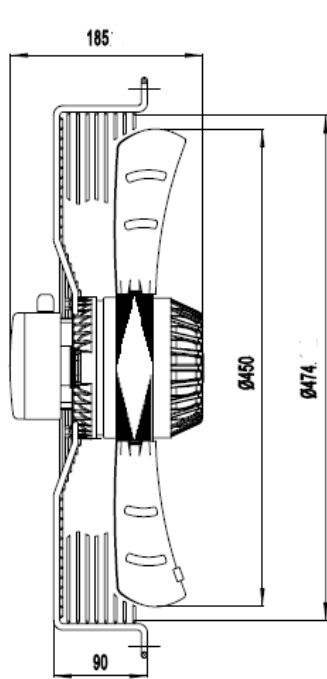
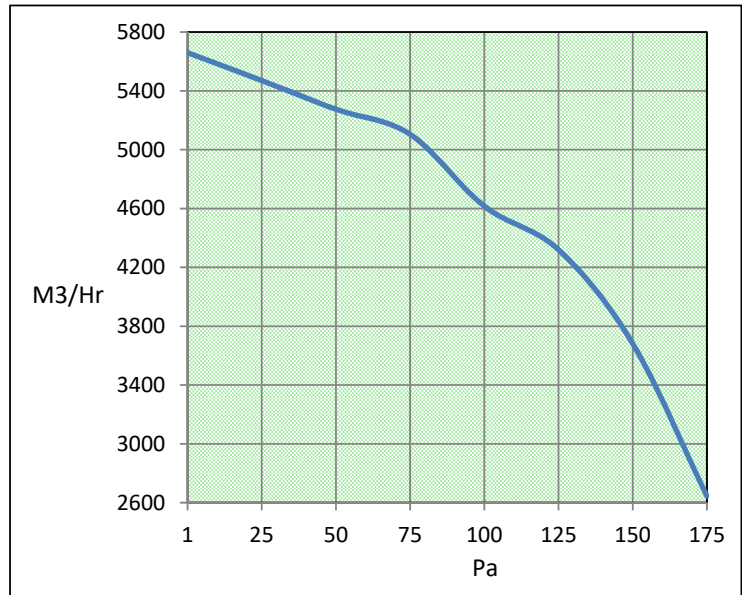
PRL.450S

Nom. Motor W

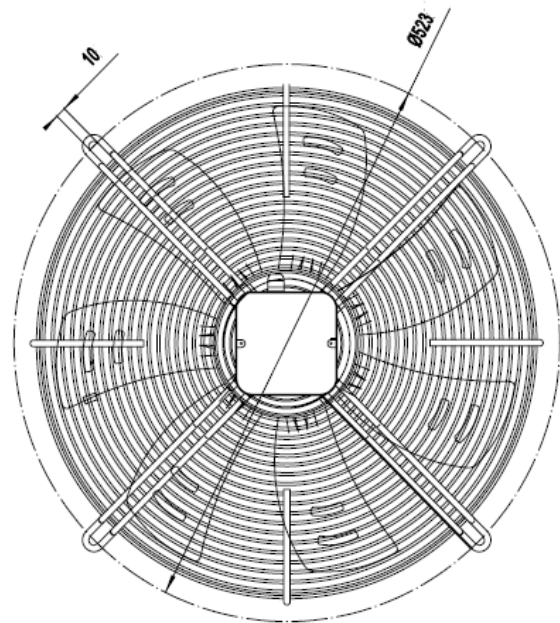
500 W

Application: +60 /-30°C

Pa	M3/Hr	RPM	A	Watt	dB (A)
1	5660	1628	0.58	322	66
25	5470	1617	0.61	350	66
50	5275	1598	0.63	372	67
75	5105	1580	0.66	398	67
100	4616	1560	0.69	425	67
125	4320	1536	0.72	455	68
150	3682	1517	0.75	480	68
175	2645	1501	0.78	502	68
Standard Venturi			Air Density 1.19 kg/M ³		



Exhaust
← Direction of airflow "S"



Weight : 9.3 kg