

400V-3ph-50Hz 4 Pole

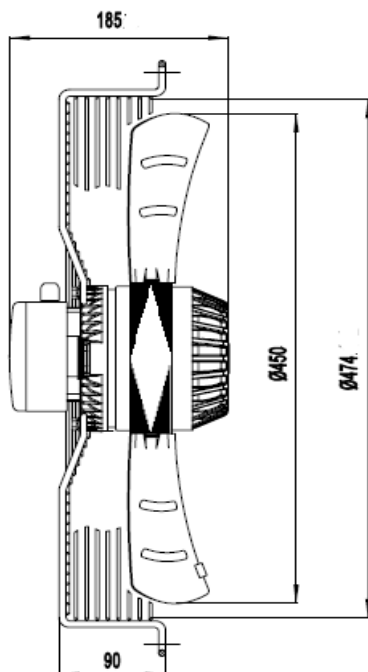
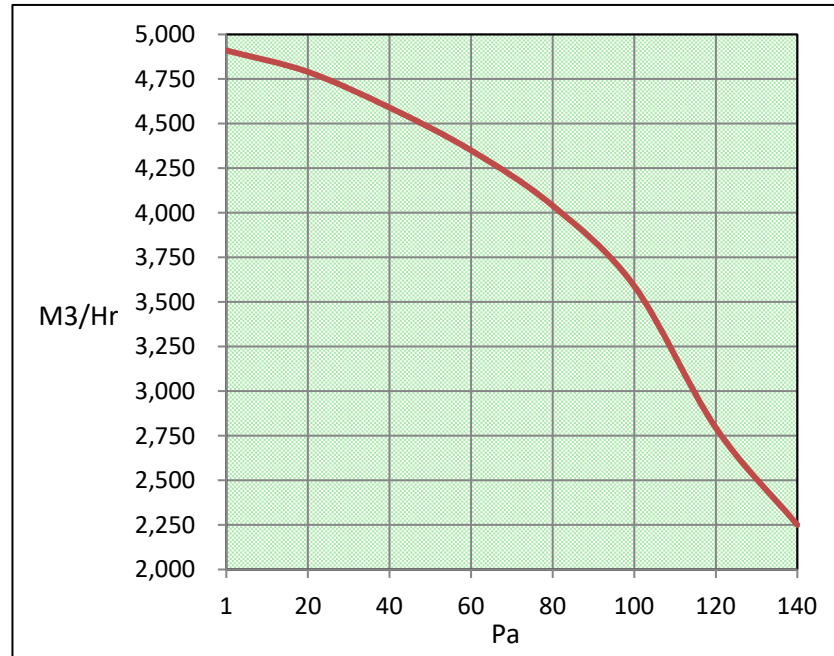
PRL.450S

Nom. Motor W

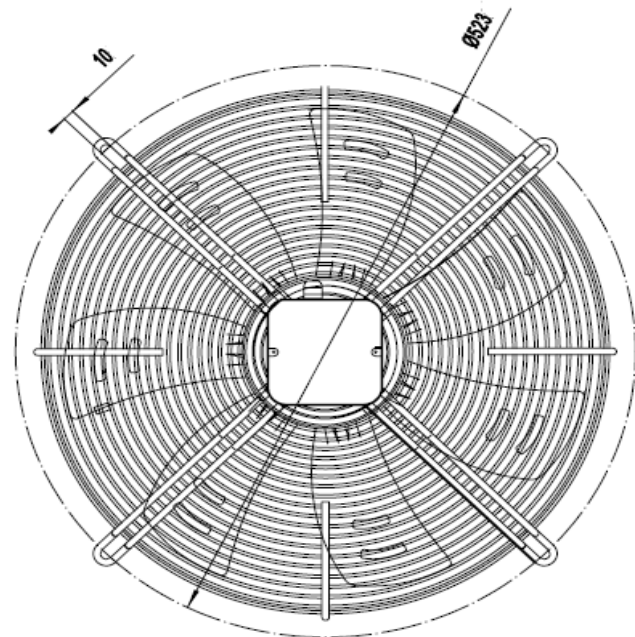
500 W

Application: +60 /-30°C

Pa	M3/Hr	RPM	A	Watt	dB (A)
1	4910	1390	0.53	210	66
20	4790	1380	0.54	220	66
40	4590	1365	0.56	255	67
60	4350	1360	0.57	256	67
80	4040	1340	0.59	273	67
100	3590	1325	0.62	305	68
120	2795	1315	0.63	312	68
140	2250	1310	0.64	323	68
Standard Venturi		Air Density 1.19 kg/M <sup>3</sup>			



Exhaust  
Direction of airflow "S"



Weight : 9.3 kg