

Nom. Motor W

230V-1ph-50Hz 4 Pole

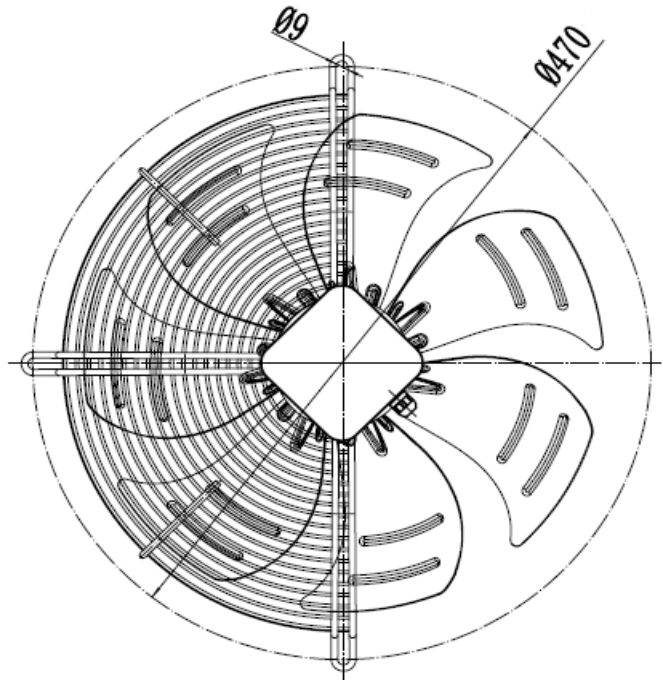
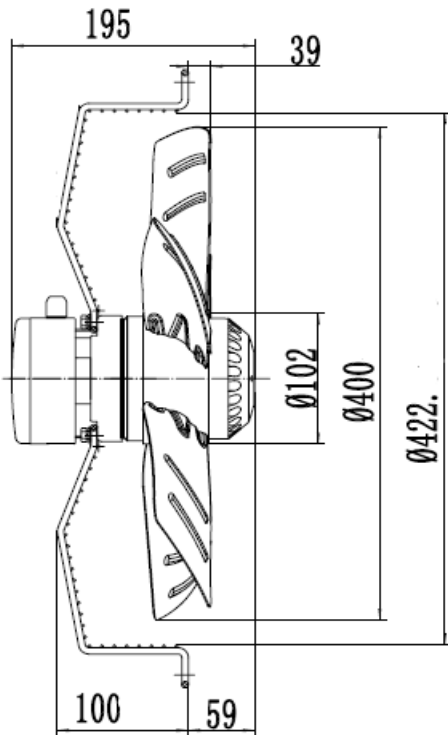
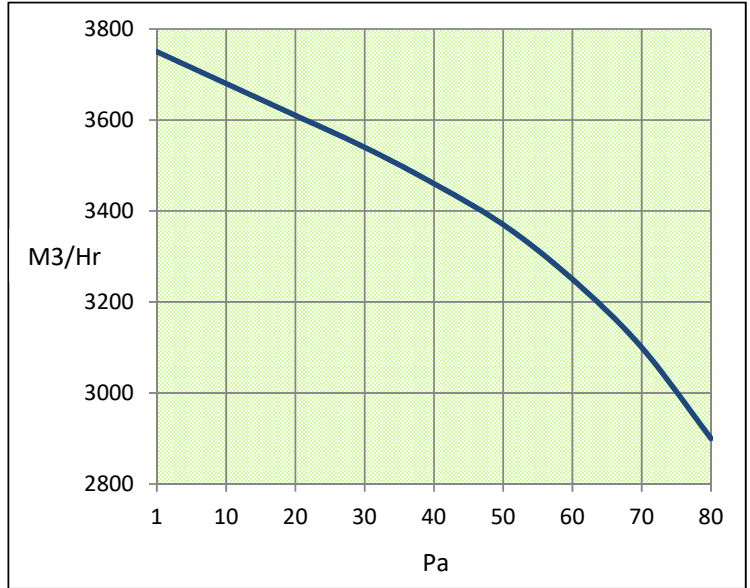
PRL.400S-7DIA07

250 W

Application: +60 / -30°C

Pa	M3/Hr	RPM	A	Watt	dB (A)
1	3750	1410	1.01	226	69
10	3680	1405	1.03	230	69
20	3610	1400	1.06	238	69
30	3540	1390	1.08	245	69
40	3460	1385	1.11	251	69
50	3370	1383	1.12	255	69
60	3250	1382	1.14	258	69
70	3100	1376	1.16	262	70
80	2900	1370	1.18	268	70

Standard Venturi Air Density 1.19 kg/M³



Weight : 7.3 kg