

230V-1ph-50Hz 6UF

4 Pole

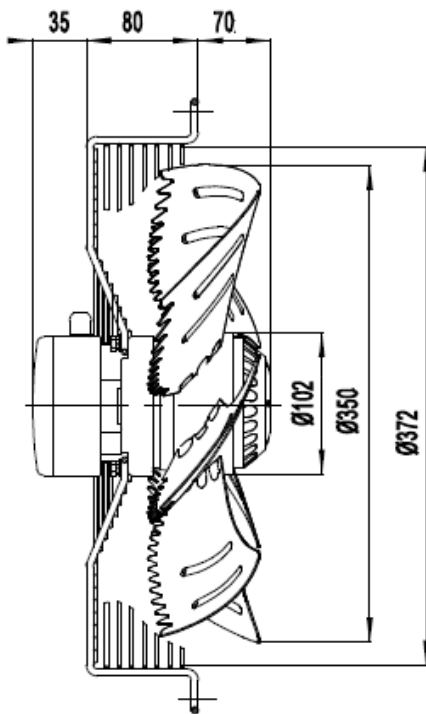
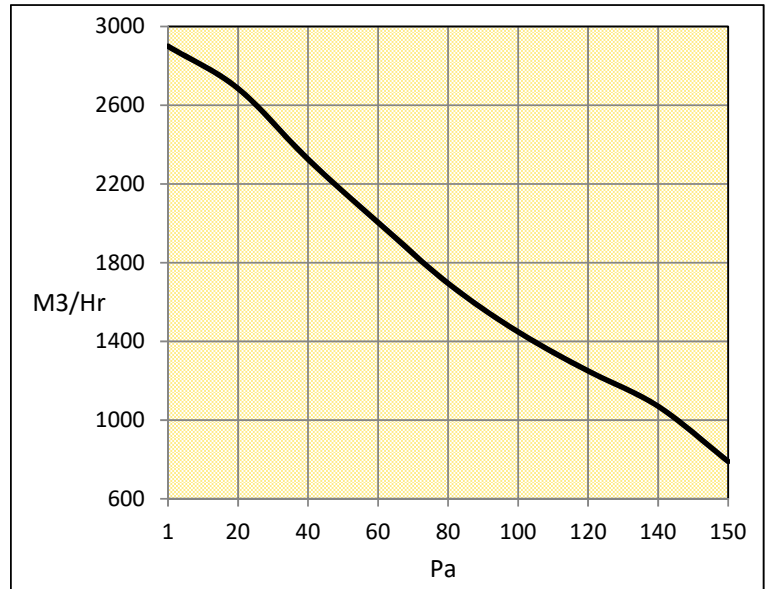
PRL.350S-7DIA01

Nom. Motor W

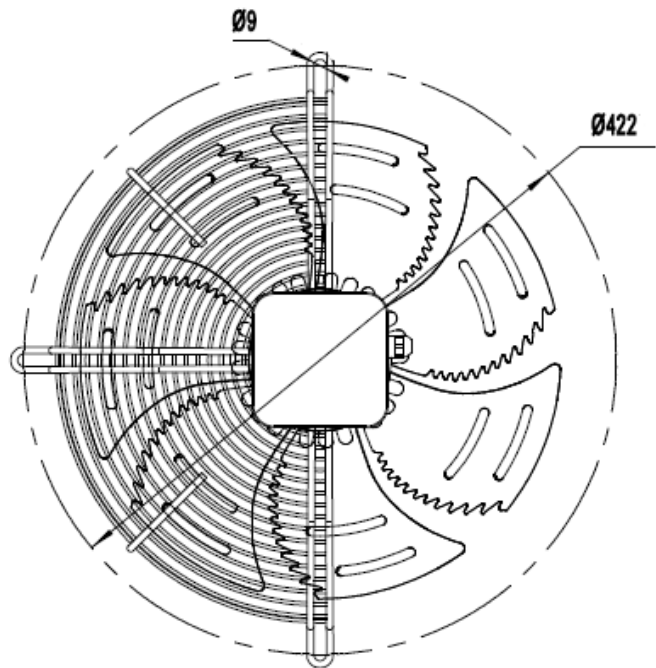
190 W

Application: +60 / -30°C

Pa	M3/Hr	RPM	A	Watt	dB (A)
1	2900	1400	0.78	177	60
20	2685	1396	0.80	180	60
40	2325	1380	0.83	191	61
60	2005	1375	0.86	196	63
80	1695	1370	0.87	199	63
100	1448	1365	0.89	203	63
120	1250	1330	0.98	225	64
140	1070	1310	1.03	235	64
150	790	1290	1.07	245	64
Standard Venturi		Air Density 1.19 kg/M <sup>3</sup>			



Exhaust  
Direction of airflow "S"



Weight : 6.0 kg