

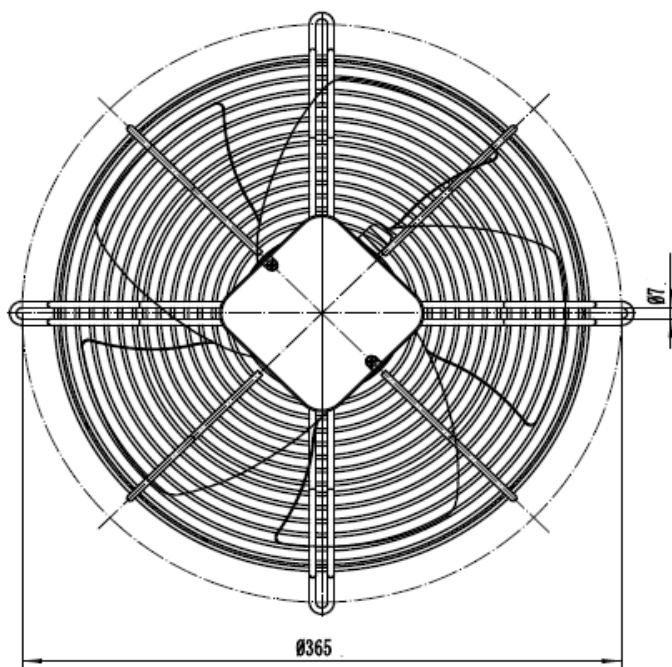
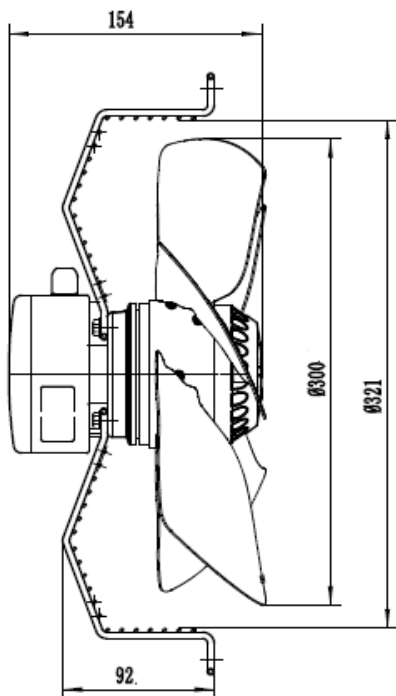
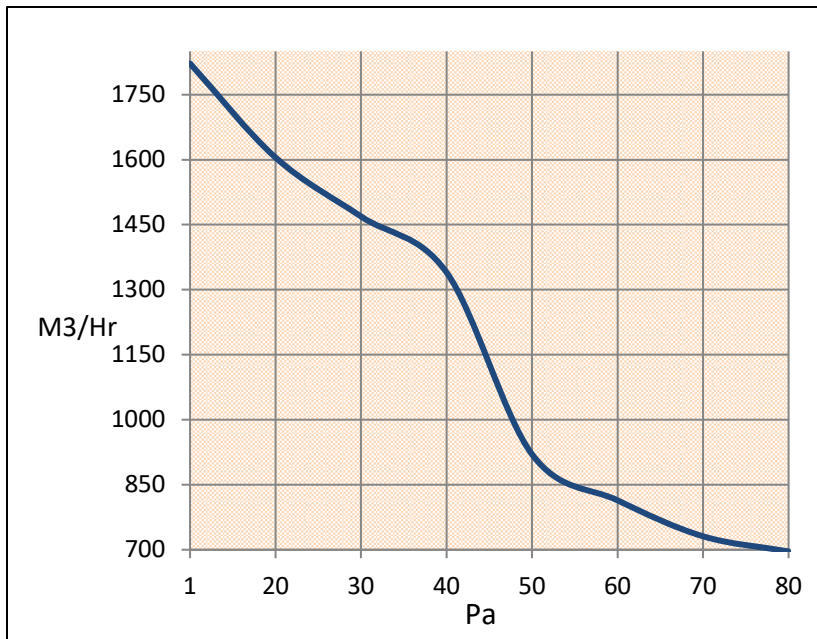
230V-1ph-50Hz 4 Pole

120 W

Application: +60 /-30°C

Pa	M3/Hr	RPM	A	Watt	dB (A)
1	1822	1418	0.46	103	64
20	1605	1410	0.47	107	64
30	1469	1395	0.47	107	64
40	1340	1391	0.48	108	64
50	920	1389	0.48	109	64
60	814	1380	0.49	112	64
70	731	1370	0.50	115	65
80	696	1362	0.50	116	65

Standard Venturi Air Density 1.19 kg/M³



Weight : 3.7 kg