

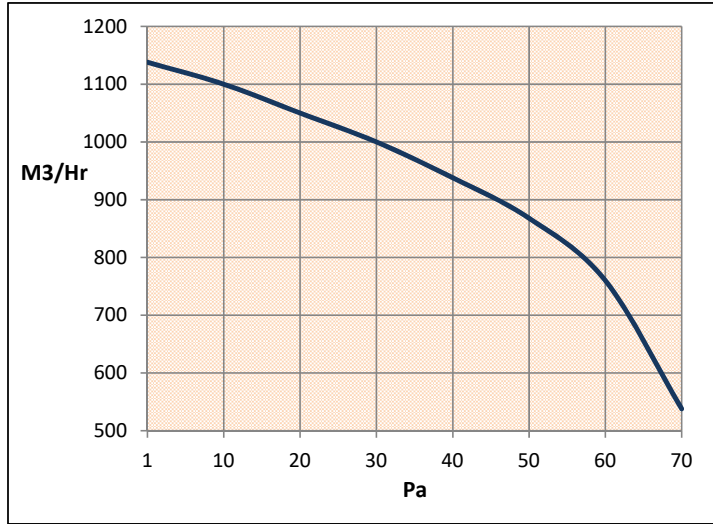
220V-1ph-60Hz 2 Pole

Nom. Motor W

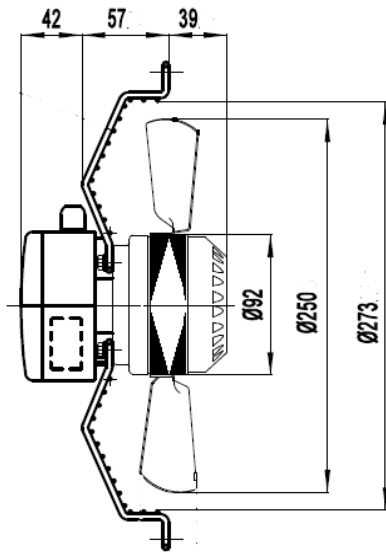
Model: PRL.A2S-250S-5DIA 100 W

Application: +60 /-30°C

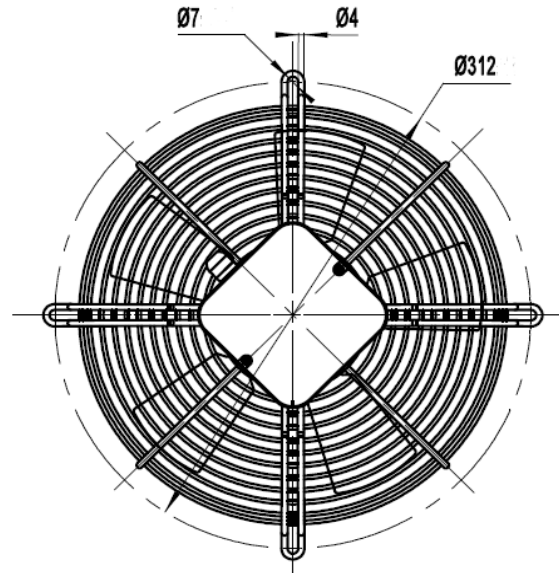
Pa	M3/Hr	RPM	A	Watt	dB (A)
1	1138	2390	0.36	80	59
10	1100	2350	0.37	80	59
20	1050	2290	0.37	81	59
30	1000	2260	0.37	81	60
40	938	2230	0.37	81	60
50	868	2190	0.38	82	61
60	760	2180	0.38	82	61
70	538	2120	0.38	83	62
Standard Venturi Air Density 1.2 kg/M ³					



Dimensioned drawing



Exhaust
Direction of airflow "S"



Weight : 3.5 kg