

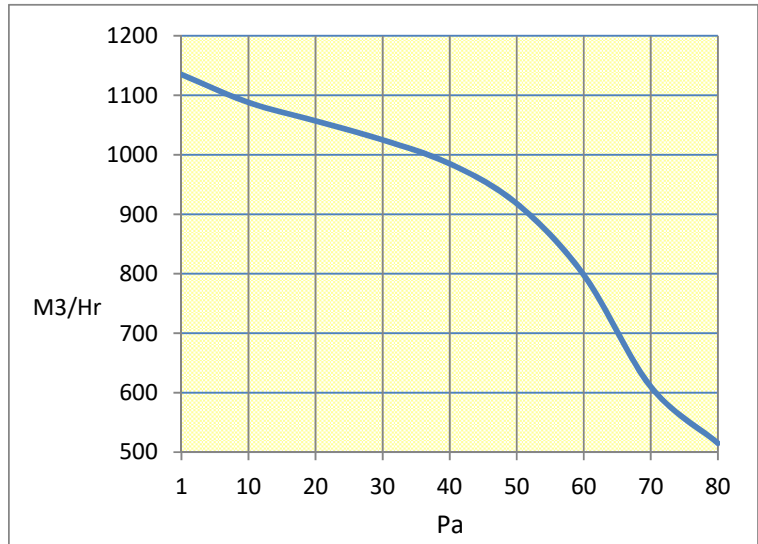
230V-1ph-50Hz 2 Pole

Nom. Motor W
PRL.A2S-250S-5DIA 100 W

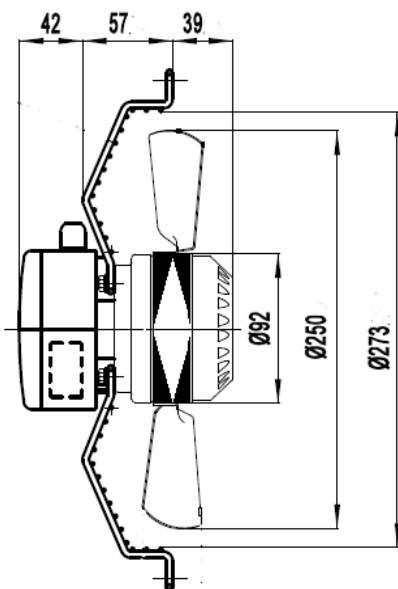
Application: +60 /-30°C

Pa	M3/Hr	RPM	A	Watt	dB (A)
1	1135	2385	0.28	61	59
10	1088	2360	0.28	62	59
20	1057	2340	0.29	63	60
30	1025	2310	0.29	64	60
40	985	2290	0.30	65	61
50	918	2270	0.30	65	61
60	798	2260	0.30	66	62
70	610	2230	0.30	67	62
80	515	2190	0.31	67	62

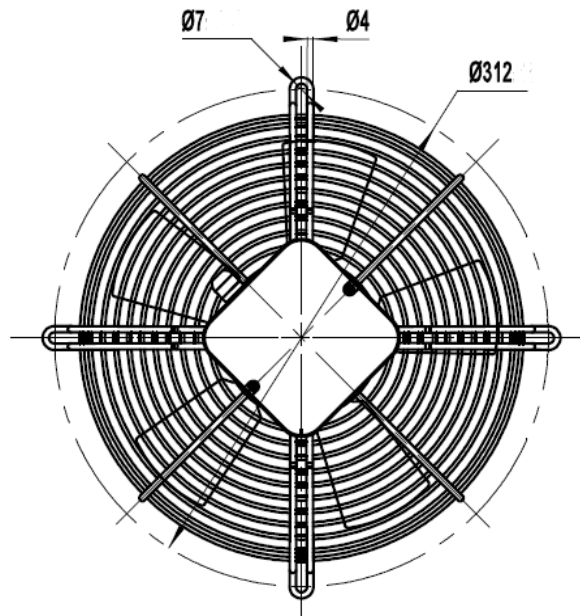
Standard Venturi Air Density 1.2 kg/M³



Dimensioned drawing



Exhaust
Direction of airflow "S"



Weight : 3.5 kg